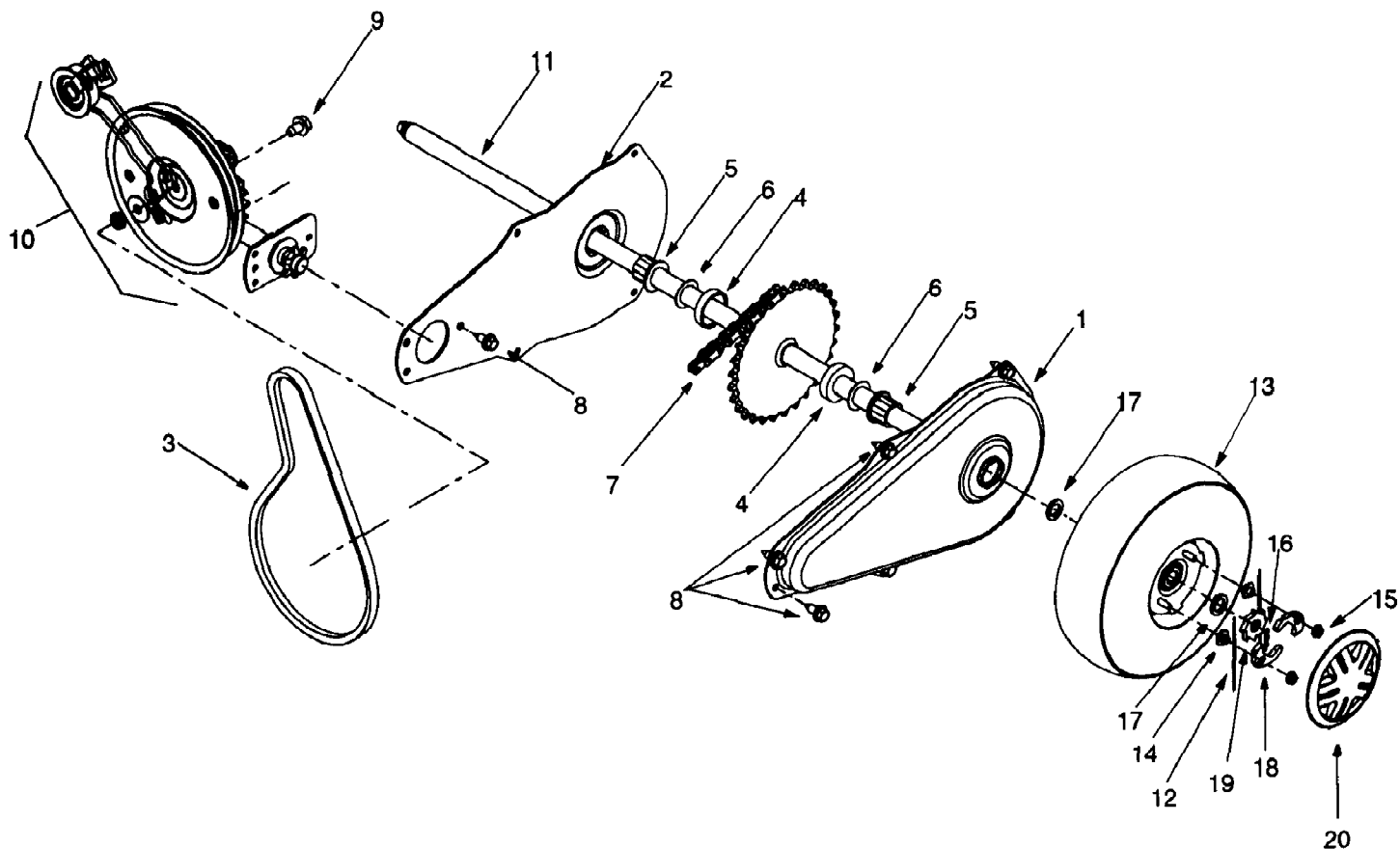


24A-203B190 Yard Boss 550 (2000)
Chute/Nozzle/Bag

Page 2 of 12

Ref #	Part Number	Qty	S/P/F	Description
1	681-0095	1		Chipper Chute
2	712-3010	1	S	Hex Nut 5/16-18
3	736-0242	1	/P	Bell Washer.340 ID x .872 OD
4	731-1838A	1	/P	Discharge Chute
5	764-0493	1	S	Bag
6	631-0070	1	S	Nozzle Asm
7	731-1831	1		Nozzle Flap
8	710-0969	1	/P	Screw
9	720-0190	1	S	Height Adjustment Knob
10	732-0754	1		Spring Lever
11	781-0702	1	S	Index Bracket RH
12	781-0703	1	S	Index Bracket LH
13	712-0431	1	S	Hex Flange Lock Nut 3/8-16
14	738-0913	1	S	Shoulder Screw
15	736-3084	1	/P	Flat Washer .510 x 1.12 x .060
16	631-0049	1		Door Asm
17	736-0173	1	/P	Flat Washer .28 ID x .74 OD
18	710-0258	1	S	Hex Cap Screw 1/4-20 x .625
19	781-0704	1	S	Nozzle Reinforcement Bracket RH
20	781-0705	1	S	Nozzle Reinforcement Bracket LH
21	712-3027	1	S	Hex Flange Lock Nut 1/4-20

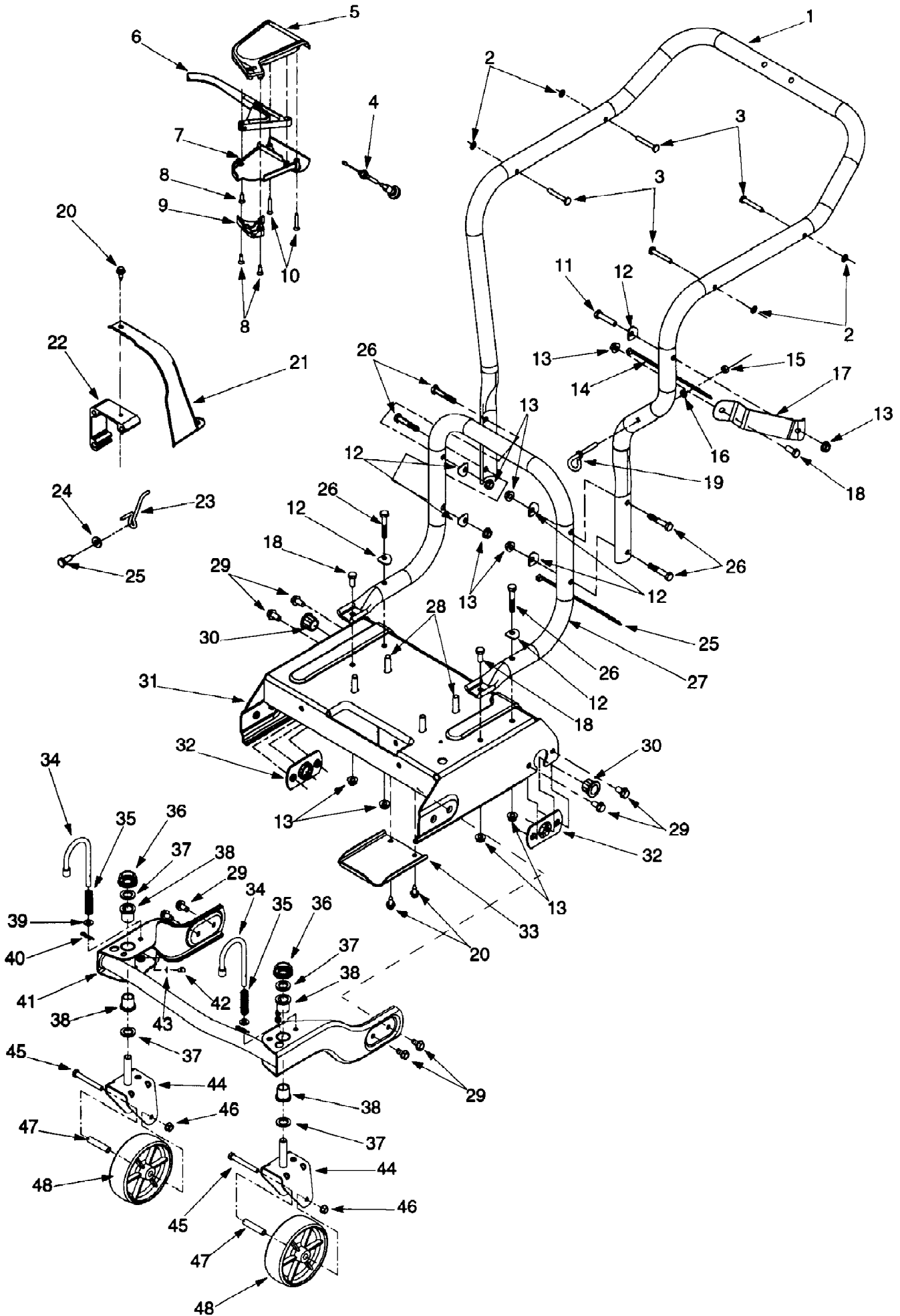
24A-203B190 Yard Boss 550 (2000)
Drive



24A-203B190 Yard Boss 550 (2000)
Drive

Page 4 of 12

Ref #	Part Number	Qty	S/P/F	Description
1	781-0677	1		Chain Case LH
2	781-0676	1		Chain Case RH
3	754-0457	1	S	V-Belt
4	748-0313	1		Spacer
5	741-0413	1	S	Hex Flange Bearing
6	736-0336	1	S	Flat Washer
7	713-0422	1	S	Chain
8	710-0896	1	/P	Hex Washer Screw 1/4-14
9	710-0603	1	/P	Hex Washer Screw 5/16
10	618-0256	1		Transmission Asm
11	611-0063	1		Axle Asm
12	10622B	1	S	Plastic Spring Ratchet
13	634-0136	1	S	Wheel Complete 10 x 4 x 4
	634-0129	1		Rim Asm Complete
	734-0210	1	S	Pneumatic Tire 10.0 x 4.0
	734-0255	1	S	Valve
	741-0487A	1	S	Flange Bearing .632 ID
14	712-0456	1	S	Hex Nut 1/4-20
15	712-3027	1	S	Hex Flanged Lock Nut 1/4-20
16	714-0104	1	S	Cotter Pin
17	736-0366	1	/P	Flat Washer 5/8 ID x 1.0 OD
18	748-0188B	1	S	Pawl LH .345 ID
	748-0381	1		Pawl RH .345 ID
19	748-0405	1		Wheel Ratchet 1.62 OD x .5 serr
20	731-1851	1		Hubcap

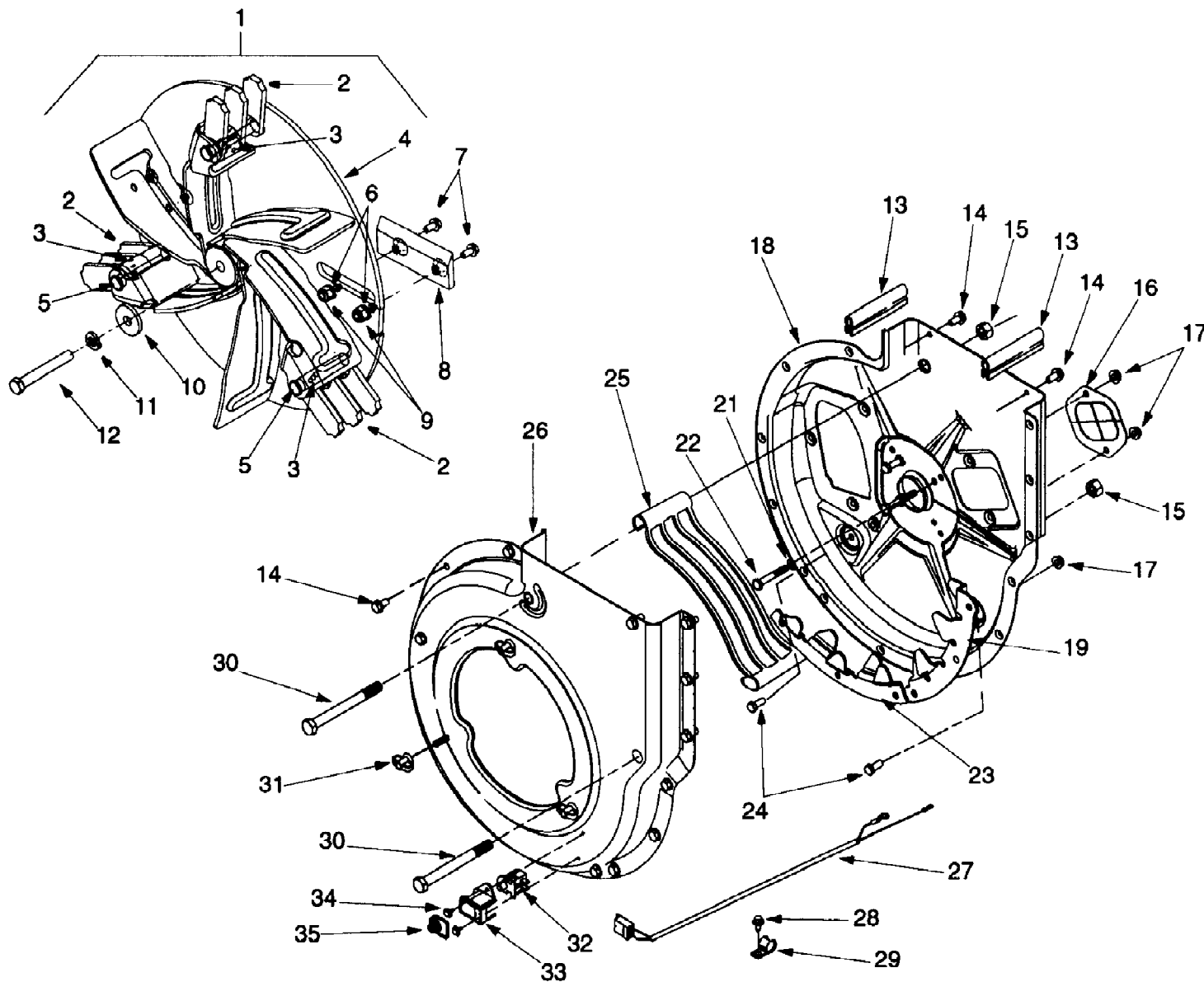


24A-203B190 Yard Boss 550 (2000)
Frame Assembly/Wheel Assembly

Page 6 of 12

Ref #	Part Number	Qty	S/P/F	Description
1	749-0996	1		Upper Handle
2	1539-019	1		Push Nut
3	711-0737	1	S	Stud Pin .250 x 1.75
4	746-0714	1	S	Clutch Cable 56"
5	731-1735	1	S	Upper Clutch Cover
6	731-0620	1	S	Drive Lever
7	731-1736	1		Lower Clutch Cover
8	710-0841	1	/P	Screw #10-12 x .750
9	731-1059	1	S	Mounting Cable Cap
10	710-1331	1		Screw #10-16 x 1.25
11	710-0805	1	/P	Hex Cap Screw 5/16-18 x 1.50
12	736-0451	1	S	Shoulder Washer.320 ID x.93 OD
13	712-3004A	1	/P	Hex Flange Lock Nut 5/16-18
14	725-0157	1	/P	Cable Tie
15	712-0138	1	S	Hex Nut 1/4-28
16	736-0329	1	S	Lock Washer 1/4
17	781-0647	1		Discharge Chute Bracket
18	710-3008	1	/P	Hex Cap Screw 5/16-18 x .75
19	747-0815	1		Eye Bolt
20	710-0896	1	/P	Hex Washer Screw 1/4-14 x .625
21	731-1646	1		Belt Cover
22	719-0359	1		Engine Mounting Adapter
23	747-0929A	1		Belt Keeper
24	736-3008	1	S	Flat Washer .344 x .75 x .12
25	710-0157	1	/P	Hex Cap Screw 5/16-24 x .75
26	710-3180	1	/P	Hex Cap Screw 5/16-18 x 1.75
27	749-0980	1		Lower Push Handle
28	710-0502A	1	/P	Screw 3/8-16 x 1.25
29	710-0604	1	S	Hex Washer Screw 5/16-18 x .625
30	741-0413	1	S	Hex Flange Bearing .631 x .720
31	681-0097A	1	/P	Frame Asm
32	781-0700	1	S	Axle Bracket
33	781-0697	1	S	Transmission Cover
34	747-0924	1		Lock Pin
35	732-0306	1	S	Compression Spring
36	726-0214	1	/P	Push Cap
37	736-0366	1	/P	Flat Washer 5/8 ID x 1.0 OD
38	741-0487A	1	S	Flange Bearing .632 ID
39	736-0264	1	S	Flat Washer .330 ID x .630 OD
40	714-0104	1	S	Cotter Pin
41	681-0087	1		Bracket Asm
42	737-3000	1	S	Grease Fitting 3/16
43	736-0931	1	/P	Flat Washer.203 ID x .403 OD
44	681-0088	1		Bracket Asm
45	710-0521	1	/P	Hex Cap Screw 3/8-16 x 3.0
46	712-0431	1	S	Flange Lock Nut 3/8-16
47	750-1042	1		Spacer
48	734-1804	1	S	Wheel 6.0 x 2.0

24A-203B190 Yard Boss 550 (2000)
Impeller & Housing Assembly



24A-203B190 Yard Boss 550 (2000)
Impeller & Housing Assembly

Page 8 of 12

Ref #	Part Number	Qty	S/P/F	Description
1	681-0116	1	S	Impeller Ass'y Complete For Model 550
2	719-0329	1		Flail Blade
3	715-0166	1		Spiral Pin
4	681-0107	1	S	Impeller Assembly For Model 550
5	711-0833B	1	S	Clevis Pin
6	736-0119	1	S	Lock Washer 5/16
7	710-1054	1	/P	Cap Screw 5/16-24 x 1.0
8	781-0490	1	S	Chipper Blade
9	712-0411	1	S	Hex Lock Nut 5/16-24
10	736-0247	1	/P	Flat Washer .406 x 1 1/4
11	736-0217	1	S	Lock Washer 3/8
12	710-1273	1		Hex Cap Screw 3/8-24 x 2.75
13	723-0438	1		Rubber Seal
14	710-0604	1	S	Hex Washer Screw 5/16-18
15	712-0384	1	S	Hex Lock Nut 1/2-13
16	781-0627	1		Chipper Blade Cover
17	712-3004A	1	/P	Hex Flange Lock Nut 5/16-18
18	681-0098	1		Housing Ass'y Inner Flail
19	781-0599	1	S	Upper Shredder Blade
21	736-0119	1	S	Lock Washer 5/16
22	710-0772	1	/P	Hex Cap Screw 5/16-18 x 2
23	781-0653	1	S	Flail Housing Blade
24	710-3008	1	/P	Hex Cap Screw 5/16-18 x .75
25	719-0326	1		Discharge Screen
26	681-0060	1	/P	Housing Ass'y Outer Flail
27	629-0241A	1	S	Wire Harness
28	710-0896	1	/P	Hex Washer Screw 1/4-14
29	726-0272	1	/P	Clamp
30	710-0382	1		Hex Cap Screw 1/2-13 x 5.0
31	712-0421	1		Knob 5/16-18
32	725-3166	1	S	Switch
33	731-1613	1	S	Safety Switch Mounting Cover
34	710-1268	1	/P	Hex Washer Screw
35	725-1700	1	S	Switch Cover

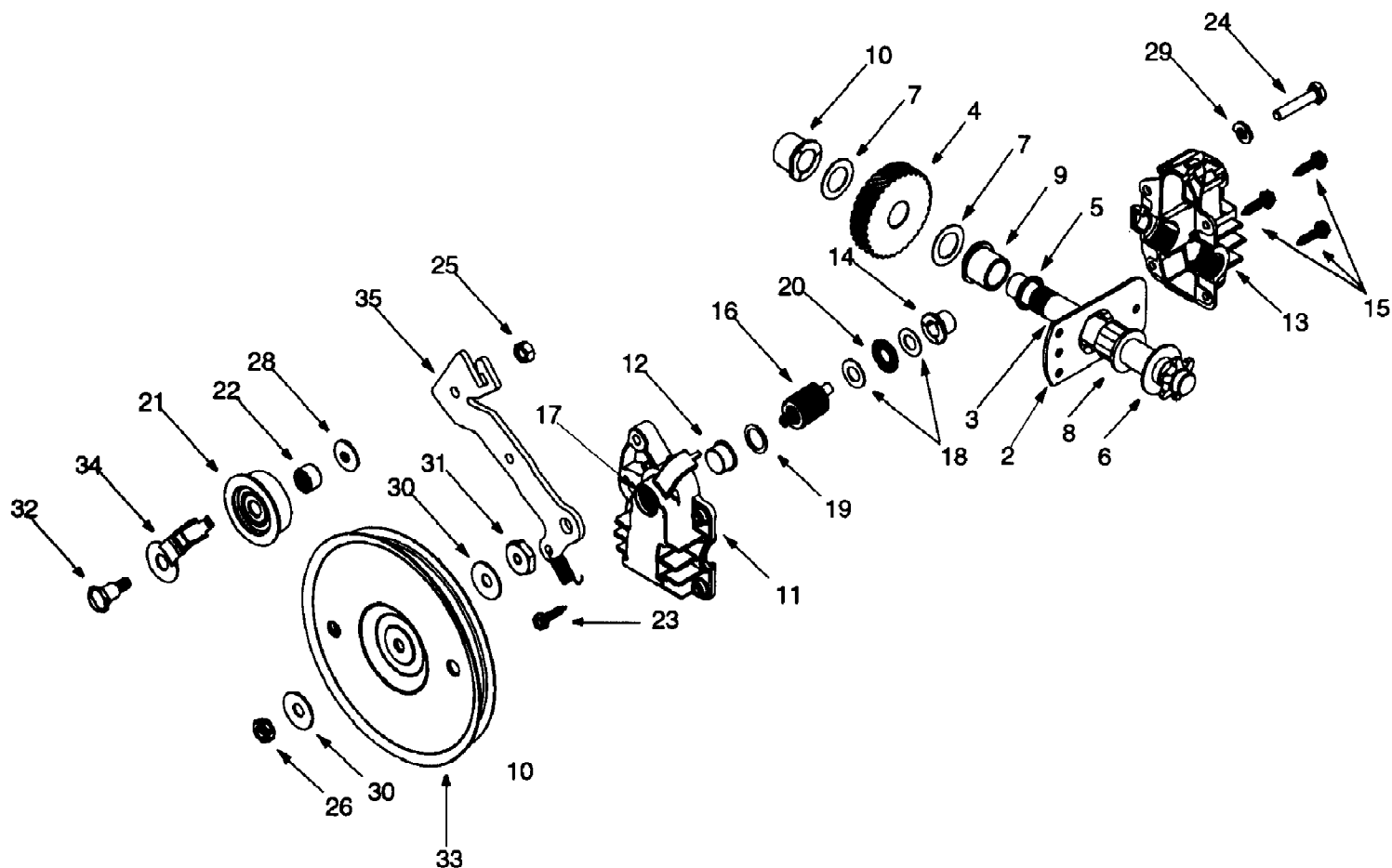
No
Diagram
Available

Parts List
Only

24A-203B190 Yard Boss 550 (2000)
Labels

Page 10 of 12

Ref #	Part Number	Qty	S/P/F	Description
	777-3147	1		Label - Warning Top Flail Housing
	777D00095	1		Label - WOP 5.5 HP OHV
	777D00091	1		Label - WOP Yardboss 550
	777-4421	1		Label - Lock Caster Wheel
	777I20071	1		Label - Self Propelled For Model 550
	777-3046A	1		Label - Caution Do Not Operate
	777S30041	1		Label - Warning / Avoid Injury



24A-203B190 Yard Boss 550 (2000)
Transmission Assembly

Page 12 of 12

Ref #	Part Number	Qty	S/P/F	Description
?1	618-0255	1	S	Transmission Assembly Complete
2	16500A	1	S	Hex Bearing Cup
3	711-1118	1	S	Output Shaft 6T Sprocket
4	717-1432	1		Helical 34T Gear
5	721-0213	1	/P	Oil Seal
6	736-0187	1	/P	Flat Washer .64 ID x 1.24 OD
7	736-0336	1	S	Flat Washer 5/8 x 1.0
8	741-0413	1	S	Hex Flange Bearing .631 ID
9	741-0414	1		Flange Bearing .629 ID
10	741-0415	1	S	Flange Bearing .566 ID
11	719-0325	1		Lower Housing
12	748-0373	1		Flange Bearing .503 ID
13	719-0324A	1		Upper Housing
14	748-0208A	1	/P	Flange Bearing .378 ID
15	710-0589	1	/P	Hex Washer Screw #10-16 x .75
16	717-1433	1		Pinion Shaft 107
17	721-0329	1	S	Oil Seal
18	736-0314	1	S	Thrust Washer .382 ID x .684 OD
19	736-0520	1	S	Flat Washer .504 ID x .70 OD
20	741-0479	1		Thrust Bearing .375 ID x .812 OD
21	656-0008	1	S	Pulley Ass'y Idler w/ Bearing
22	741-0556	1	S	Needle Bearing .375 ID x .375 OD
23	710-0589	1	/P	Hex Screw #10-16 x .75
24	710-1062	1		Hex Cap Screw 1/4-20 x 1.25
25	712-0138	1	S	Hex Nut 1/4-28
26	712-3045	1	S	Hex Jam Nut 5/16-24 LH Thd
?27	732-0357A	1	S	Extension Spring 1.12 Lg
28	736-0270	1	/P	Bell Washer .265 ID x .75 OD
29	736-0329	1	S	Lock Washer 1/4
30	736-0425	1	S	Bell Washer .325 ID x .930 OD
31	738-0440	1		Shoulder Spacer .375 ID x .165 OD
32	738-0826	1	S	Shoulder Bolt 1/4-28 x .375
33	756-0618	1	S	Flat Pulley 5.06 Dia
34	782-7569	1		Belt Keeper
35	782-7570	1	S	Idler Bracket